

# Zone valve

LK 525

Zone valve for combined heating and tap water systems.

## Design

Motorised 3-way valve for on/off control. Brass valve housing EN 12165 CW617N (MS58). Pipe connections with compression fitting or external thread. Actuator motor 7 VA, 230/24 VAC, 50 Hz, IP 40. Operation time app. 8 seconds. Connection by cable, 3-wire or Molex connector. Signal connector 1-pole SPST.

## Cable specification and electrical connection

Cable specification: R03VV, 3x0,75 mm<sup>2</sup>

Wire colours: blue, brown, black

External insulation: PVC, black

Molex® or Molex® compatible connector, 6-circuit

Electrical connection according to connection diagram

## Fitting / Installation

The zone valve must not be installed with the motor underneath the valve unit. The motor is installed by pressing it on and snapping the linch pin in place. The motor is removed by pulling the pin out and pulling the motor straight out.

It is easier to fit the compression fitting if lubricant is applied to the thread and bevel. Tighten first by hand and then with a box spanner. Soft pipes are to be fitted with a support sleeve.

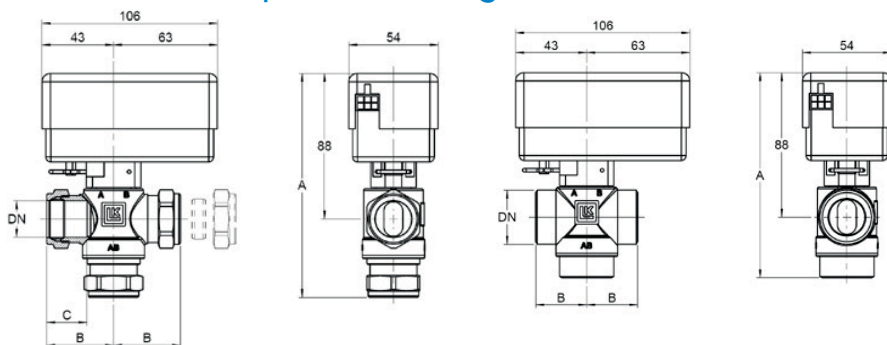
## Operation and maintenance

The valve unit does not need any maintenance.

If the supply power is cut, the valve stays in its current position. When the power is switched off, the valve can be manually set to the centre position, which distributes the flow between the heating and tap water circuits. Remove the motor and turn the spindle about 30°, or turn until hot water flows through both valve ports. When the power is restored, turn the valve back to its original position and re-install the motor.

Note! The motor can only be installed in one position.

## LK 525 with compression fitting    LK 525 with ext. thread



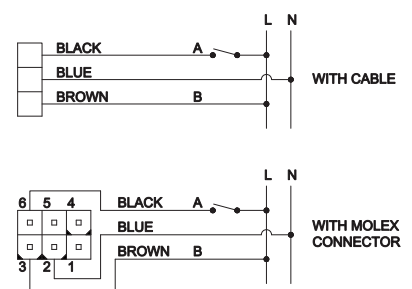
Max differential pressure: 0,1 MPa  
 Max working pressure: 1,0 MPa  
 Working temperature:  
 5 - 80°C (90°C briefly)  
 Ambient temperature: 1-60°C  
 Leakage: < 0,1% of kvs

## Type approval certificates

TÜV (only the activator)



## Connection diagram



Article	Note / Dimension	Art. no	Pack qty	Kvs (m <sup>3</sup> /h)	A mm	B mm	C mm
525-22	Valve/22 mm	066070	1	7,0	138	56	25
525-28	Valve/28 mm	066071	1	8,0	142	56	30
525-25	Valve/G1 ext.	066072	1	7,0	125	31	-
525-32	Valve/G1¼ ext.	066073	1	8,0	127	37	-
EMV 110-M SPST	Motor 230 VAC with Molex	066060	1				
EMV 110-K SPST	Motor 230 VAC with cable 1000 mm	066061	1				
EMV 110-K SPST	Motor 230 VAC with cable 3000 mm	066062	1				
EMV 110-M SPST	Motor 24 VAC with Molex	066063	1				
Cabel-M	3x0,75 L=1000 mm with Molex	066083	1				