

# Safety relief valves

510, 511, 512 for tap water systems



Safety relief valve for tap water installations.


## Design

High lifting and soft sealing safety relief valve. Valve body made of CR-brass, EN 12165 CW602N. Membrane of EPDM rubber.

Inlet with female (510) or male (511) thread G $\frac{3}{4}$ , and with compression fittings 22 mm (512). Outlet connection with 22 mm compression fitting.

Max working temperature: 120 °C  
Max blow-off capacity:  
See the list below.

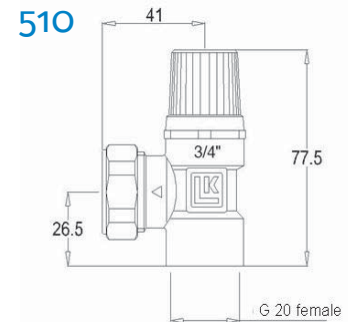
## Type approval certificates

 Swedcert TG 0196  
CE

## Fitting/Installation

The safety relief valve can be installed horizontally or vertically, i.e. with the valve knob facing outwards or upwards. In horizontal installation the outlet must be positioned so that a water pocket can not be formed. The thread has to be sealed in the usual manner.

It is easier to fit the compression fitting if lubricant is applied to the thread and bevel. Tighten first by hand and then with a spanner. Soft pipes are to be fitted with a support sleeve.

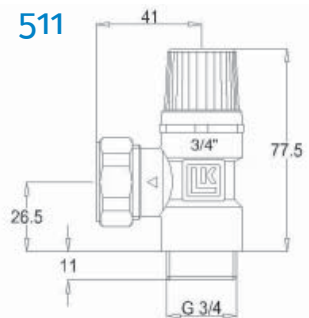


## Operation/Maintenance

The safety relief valve requires no maintenance. The opening function should, however, be checked 2-3 times a year.

Turn the knob counter-clockwise by hand, until water flows out. Let the water flush through for a moment. Then turn the knob until a click is heard, about  $\frac{1}{4}$  turn, and the valve returns to closed position.

The safety relief valve may open after a large amount of water has been drained from the water heater. This is a normal function since the pressure relief level in the water heater can be reached due to the increased volume of the water when heated.



| Article | Dimension                    | Art. no | Pack qty | Opening pressure/<br>Max blow-off capacity |
|---------|------------------------------|---------|----------|--|
| 510-0.6 | G $\frac{3}{4}$ female/22 mm | 090032  | 1        | 0.6 MPa - 133 l/min                        |
| 510-0.9 | G $\frac{3}{4}$ female/22 mm | 090033  | 1        | 0.9 MPa - 112 l/min                        |
| 510-1.0 | G $\frac{3}{4}$ female/22 mm | 090034  | 1        | 1.0 MPa - 133 l/min                        |
| 511-0.6 | G $\frac{3}{4}$ male/22 mm   | 090042  | 1        | 0.6 MPa - 133 l/min                        |
| 511-0.9 | G $\frac{3}{4}$ male/22 mm   | 090043  | 1        | 0.9 MPa - 112 l/min                        |
| 511-1.0 | G $\frac{3}{4}$ male/22 mm   | 090044  | 1        | 1.0 MPa - 133 l/min                        |
| 512-0.6 | 22 mm                        | 090052  | 1        | 0.6 MPa - 133 l/min                        |
| 512-0.9 | 22 mm                        | 090053  | 1        | 0.9 MPa - 112 l/min                        |
| 512-1.0 | 22 mm                        | 090054  | 1        | 1.0 MPa - 133 l/min                        |

