

Shut-off/check valve

508-DK

Combination valve for water heating.

Design

Valve body made from DZR-brass EN 12165 CW602N, with combined shut-off and check valve.

The valve has two connections with combined male/female thread $G\frac{3}{4}/G\frac{1}{2}$ for fitting safety/vacuum or filling valves. Inlet pipe connection $G\frac{3}{4}$ female thread. Other connections $G\frac{3}{4}$ male thread.

Fitting / Installation

The arrow on the valve housing indicates the direction of the flow.

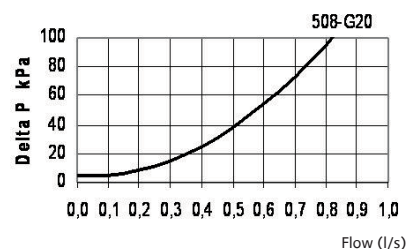
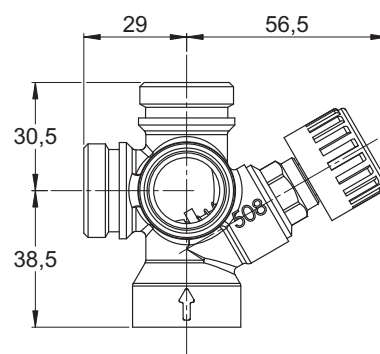
The connection with female thread $G\frac{1}{2}$ is designed for LK Armatur's system with o-ring seals. Other articles are fitted in the usual manner. Other threads have to be sealed in the usual manner.

Operation and maintenance

The shut-off/check valve requires no maintenance. The installation should be checked regularly.



Max pressure: 1.0 MPa
Max working temp: 90 °C



Article	Dimension	Art. no	Pack qty
508-DK	$G\frac{3}{4}$ female x $G\frac{3}{4}$ male	090024	1